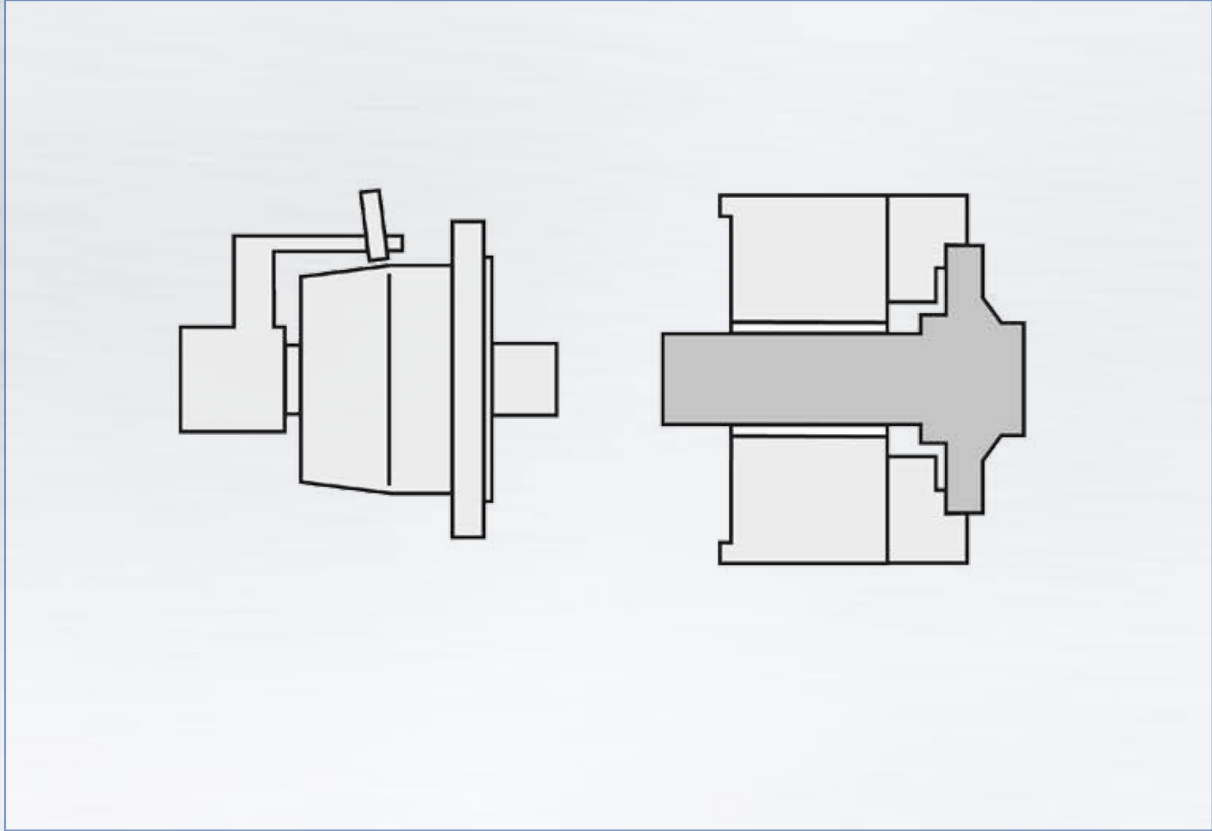




Spannsysteme für Teilhohlspannung Partial hollow chucking systems



Hydraulikzylinder Hydraulic cylinder							Kraftspannfutter Power operated chuck		
P _{max.} (bar)							Typ Keilstangenfutter Type wedge bar chuck		Typ Keilhakenfutter Type wedge hook chuck
80	80	80	80	80	80	80	3 Backen 3 jaws	2 Backen 2 jaws	3 Backen 3 jaws
OVR(K) 70-16							KH 110/30	KH 2 - 110/30	-
	OVR(K) 90-25						KH 140/36	KH 2 - 140/36	KHNC 140/26
		OVR(K) 110-35					KH 160/45 KHL 160/45	KH 2 - 160/45 KHL 2 - 160/45	KHNC 160/26
			OVR(K) 120-50				-	-	KHNC 185/41
							KH 200/68 KHL 200/68	KH 2 - 200/68 KHL 2 - 200/68	KHNC 200/41
							KH 250/91 KHL 250/91	KH 2 - 250/91 KHL 2 - 250/91	KHNC 250/56
							KH 315/117 KHL 315/117	KH 2 - 315/117 KHL 2 - 315/117	KHNC 315/82
				OVR(K) 155-50			KH 400/165 KHL 400/165	KH 2 - 400/165 KHL 2 - 400/165	KHNC 400/108
					OVR(K) 200-50		KH 500/165	-	KHNC 500/145
							KH 630/165	-	-