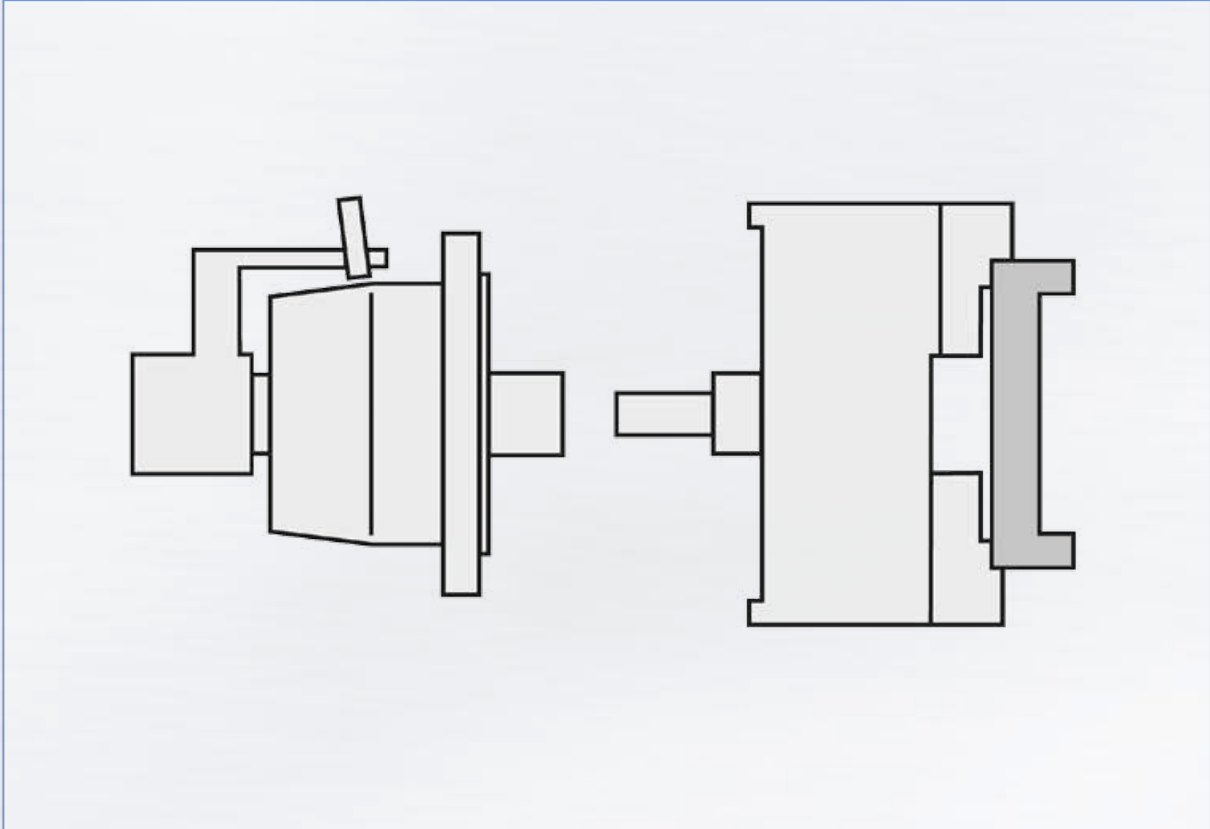


Spannsysteme ohne Stangendurchlass Closed center chucking systems



Hydraulikzylinder Hydraulic cylinder P _{max.} (bar)					Dreiback-Keilstangenfutter Three jaw wedge bar chuck		Zweiback-Keilstangenfutter Two jaw wedge bar chuck	
80	80	80	80	80	Spitzverzahnung Serrated jaw	Kreuzversatz Cross tenon	Spitzverzahnung Serrated jaw	Kreuzversatz Cross tenon
OVR 90-25					KV 3 - 160 A	KV 3 - 160 B	KV 2 - 160 A	KV 2 - 160 B
	OVR 110-35				KV 3 - 200 A	KV 3 - 200 B	KV 2 - 200 A	KV 2 - 200 B
		OVR 120-50			KV 3 - 250 A	KV 3 - 250 B	KV 2 - 250 A	KV 2 - 250 B
			OVR 155-50		KV 3 - 315 A	KV 3 - 315 B	KV 2 - 315 A	KV 2 - 315 B
				OVR 200-50	KV 3 - 400 A	KV 3 - 400 B	KV 2 - 400 A	KV 2 - 400 B